

Other Power Transmission Accessories

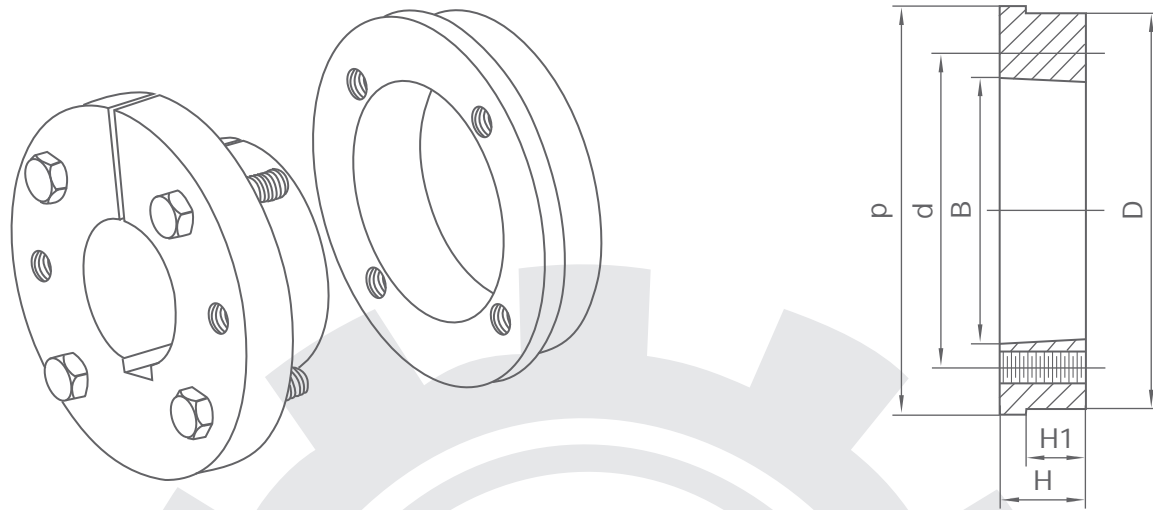


Tensional Sprockets
STL Idler Bushings
CXTH Bushing and Hubs

BTL Idler Bushings
CXTB Bushing and Hubs
Set Collars

CXTH Bushing and Hubs

FOR CONVEYOR PULLEYS



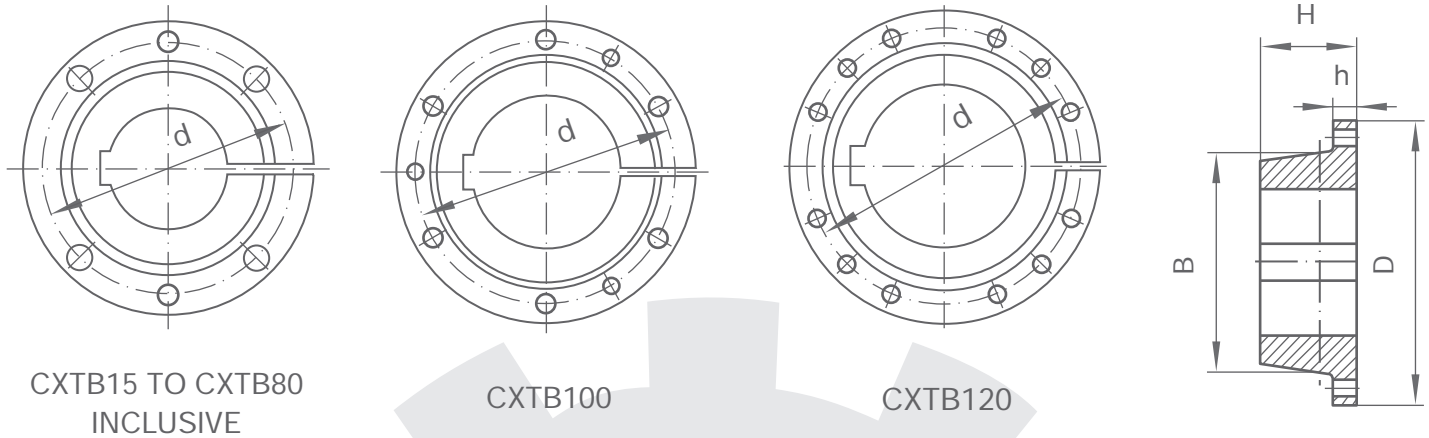
CXTH Hubs

Hub No.	Bushing	Dimensions						Tapped Holes		Wt Lbs.
		D	d	B	H1	P	H	No.	Size	
CXTH15	CXTB15	2.875	27/16	2.000	7/16	3.190	5/8	4	1/4-20	0.7
CXTH20	CXTB20	3.813	33/16	2.688	9/16	4.065	13/16	4	5/16-18	1.5
CXTH25	CXTB25	4.375	33/4	3.188	13/16	4.690	11/18	4	3/8-16	2.6
CXTH30	CXTB30	5.250	49/16	3.875	7/8	5.940	11/14	4	7/16-14	4.1
CXTH35	CXTB35	6.345	57/16	4.688	11/16	6.562	11/2	4	1/2-13	6.6
CXTH40	CXTB40	7.250	61/8	5.313	11/4	7.563	13/4	4	9/19-12	10.7
CXTH45	CXTB45	8.000	67/8	5.938	11/2	8.315	21/8	4	5/8-11	15.4
CXTH50	CXTB50	9.563	85/16	7.250	13/4	9.940	21/2	4	3/4-10	24.9
CXTH60	CXTB60	11.250	97/8	8.625	115/16	11.690	23/4	4	7/8-9	36.4
CXTH70	CXTB70	13.188	119/16	10.000	23/16	13.628	31/8	4	1-8	57.7
CXTH80	CXTB80	14.625	127/8	11.125	27/16	14.940	37/16	4	11/8-7	75.6
CXTH100	CXTB100	17.500	159/16	13.688	3	17.940	41/8	6	11/8-7	122
CXTH120	CXTB120	20.500	183/16	16.188	31/2	20.940	413/16	8	11/8-7	189

- Designed specifically for conveyor pulley applications
- 2" per foot taper
- Various sizes of Malleable iron
- Self-seating eliminating the use of hammer and/or drift
- Less axial movement reducing end disc pre stressing
- High compressive force minimizing pulley walking on shaft
- Equal spaced bolts for uniform draw-up
- More material in barrel for added safety, especially for in maximum bore sizes
- Full length engagement with hub
- Maximum capscrew torque storing capacity through flang
- Easy removal
- Full size keys in maximum bores of size 50 and larger bushings

CXTB Bushing and Hubs

FOR CONVEYOR PULLEYS



CXTB Bushing Dimensions

Bushing No.	Dimensions					Tapped Holes		Wrench Torque in-lbs	Wt Lbs.
	D	d	B	H	h	No.	Size		
CXTB15	27/8	27/16	2.000	1 1/8	3/8	4	1/4-20x1	95	0.7
CXTB20	33/4	33/16	2.688	1 13/32	15/32	4	5/16-18x1 1/4	200	1.5
CXTB25	47/16	33/4	3.188	1 7/8	5/8	4	3/8-16x1 3/4	350	2.6
CXTB30	55/16	49/16	3.875	2 1/16	11/16	4	7/16-14x1 1/2	550	4.2
CXTB35	65/16	57/16	4.688	2 15/32	25/32	4	1/2-13x1 3/4	840	7.4
CXTB40	7 1/8	61/8	5.313	2 13/16	7/8	4	9/19-12x2	1200	10.5
CXTB45	8	67/8	5.938	3 5/16	15/16	4	5/8-11x2 1/4	1680	14.8
CXTB50	10 1/8	85/16	7.250	3 3/4	1	4	3/4-10x2 1/2	3000	27.8
CXTB60	11 15/16	97/8	8.625	4 1/8	1 1/8	4	7/8-9x2 1/2	4800	42.8
CXTB70	13 15/16	119/16	10.000	4 11/16	1 5/16	4	1-8x3	7200	66.3
CXTB80	15 5/8	127/8	11.125	5 1/8	1 3/8	4	1 1/8-7x3 1/2	9000	85.7
CXTB100	17 15/16	159/16	13.688	6 3/16	1 9/16	6	1 1/8-7x3 1/2	9000	146
CXTB120	20 5/8	183/16	16.188	7 1/16	1 3/4	8	1 1/8-7x3 1/2	9000	216

For the first month of operation, inspect bushings and capscrews for proper seating at least once a week and during periodic shut-downs thereafter.

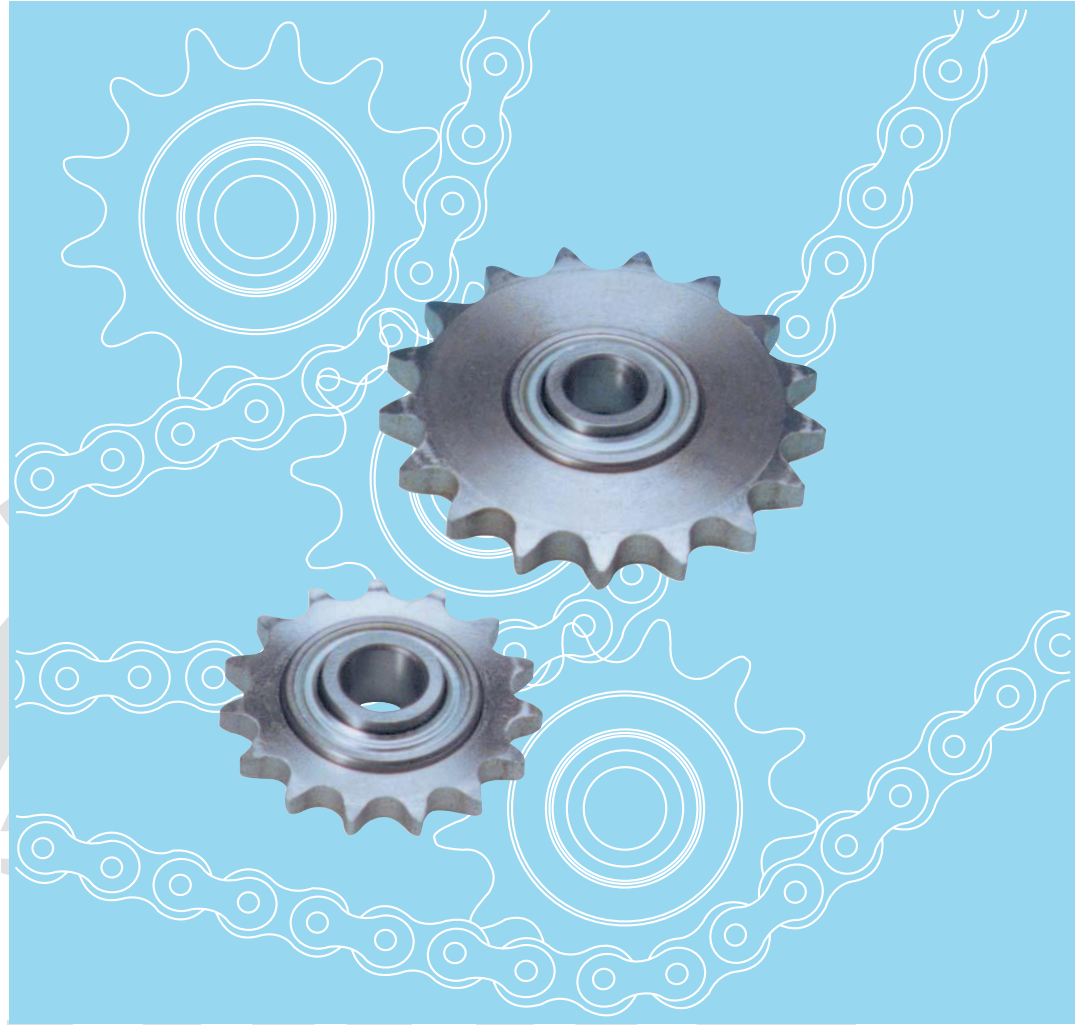
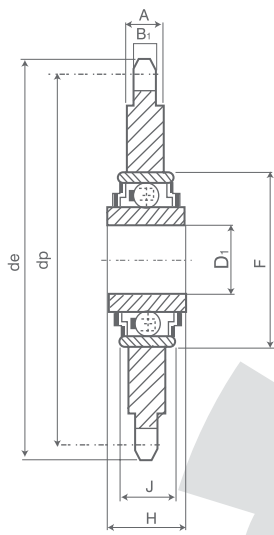
A breakthrough for conveyor pulley design.

CXTB Hubs & Bushing are computer-designed hubs and bushings specifically developed for conveyor pulley applications. Through the new design of 2" ft. Taper, the holding power of conveyor pulleys has been greatly increased--greater than most holding powers ever needed for conveyor pulleys. Meanwhile, this new design provides even easier installation and removal than other bushing types.

Standard Stock Bores

Bushing	Stock Bore
CXTB15	5/8-1 1/2
CXTB20	3/4-2
CXTB25	1-2 7/16
CXTB30	1 7/16-2 15/16
CXTB35	1 15/16-3 7/16
CXTB40	2 7/16-3 15/16
CXTB45	3 7/16-4 7/16
CXTB50	3 15/16-4 15/16
CXTB60	5 7/16-6
CXTB70	6 7/16-7
CXTB80	7 1/2-8
CXTB100	8 1/2-10
CXTB120	10 1/2-12

Tensional Sprockets



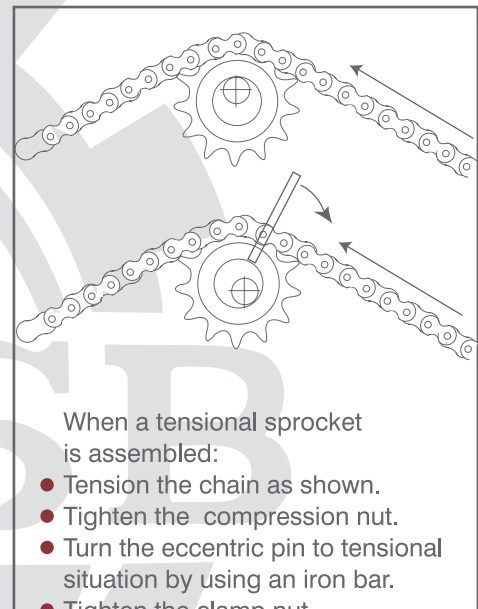
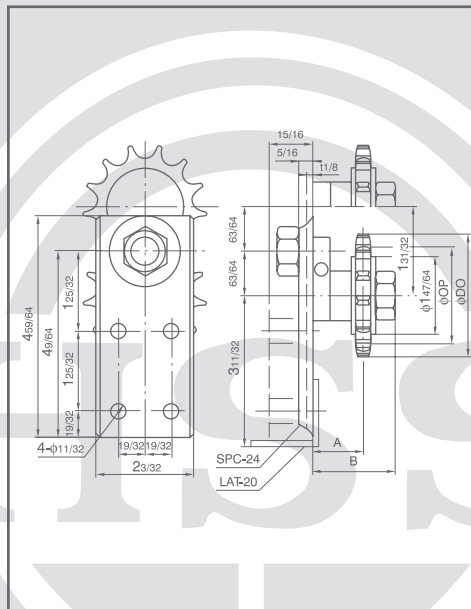
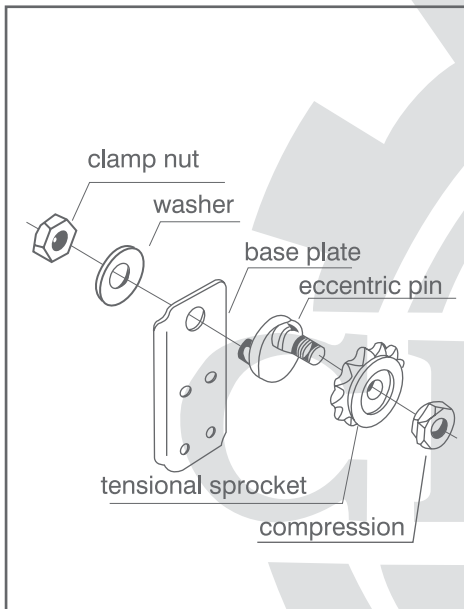
SPECIFICATION	CHAIN SIZE	Z	de	D1	H	B1	Wt Lbs.
35BB20H	35	20	2.60	0.638	0.72	0.168	0.38
40BB17H	40	17	2.97	0.638	0.72	0.284	0.52
40BB18H	40	18	3.14	0.638	0.72	0.284	0.53
50BB15H	50	15	3.32	0.638	0.72	0.343	0.75
50BB17H	50	17	3.72	0.638	0.72	0.343	0.78
60BB13H	60	13	3.51	0.638	0.72	0.459	0.76
60BB15H	60	15	3.98	0.638	0.72	0.459	1.06
80BB12H	80	12	4.36	0.750	0.72	0.575	1.50

NSPT Tensional Sprockets can be applied to tightening chains in the course of rolling chain transmission with various pitches. It always enables chains to maintain a stable conveying state during the transmission process. They are also capable of lessening pulse concussion, weakening noise and raising chain's and sprocket's utility efficiency.

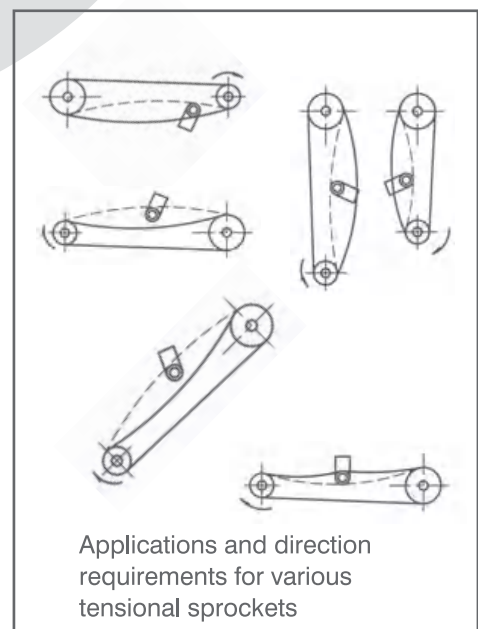
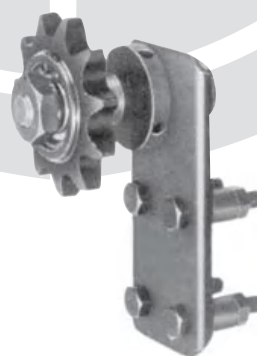
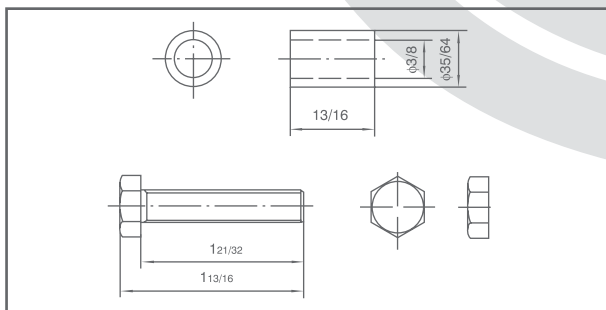
NSPT Tensional Sprockets are made of high quality steel, with hardened teeth to HRC40-50 and black oxide treated surface. To be installed with low-noise conveying bearings, NSPT Tensional Sprockets fit NSPT-TH series frames perfectly. It can also be used with frames of other similar sorts.

Tensional Sprockets T Holder

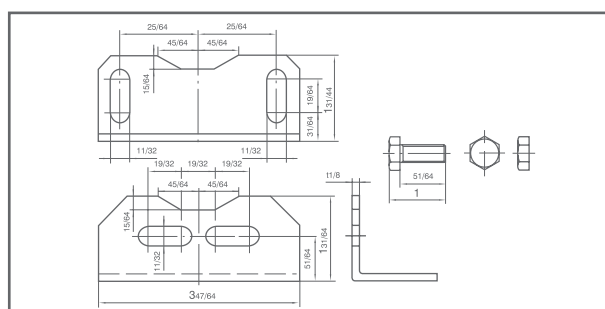
Type	Pitch	A	B
TH-B-06	P=3/8	1	17/8
TH-B-08	P=1/2	1	17/8
TH-B-10	P=5/8	1	17/8
TH-B-12	P=3/4	1	17/8
TH-B-16	P=1	13/16	2



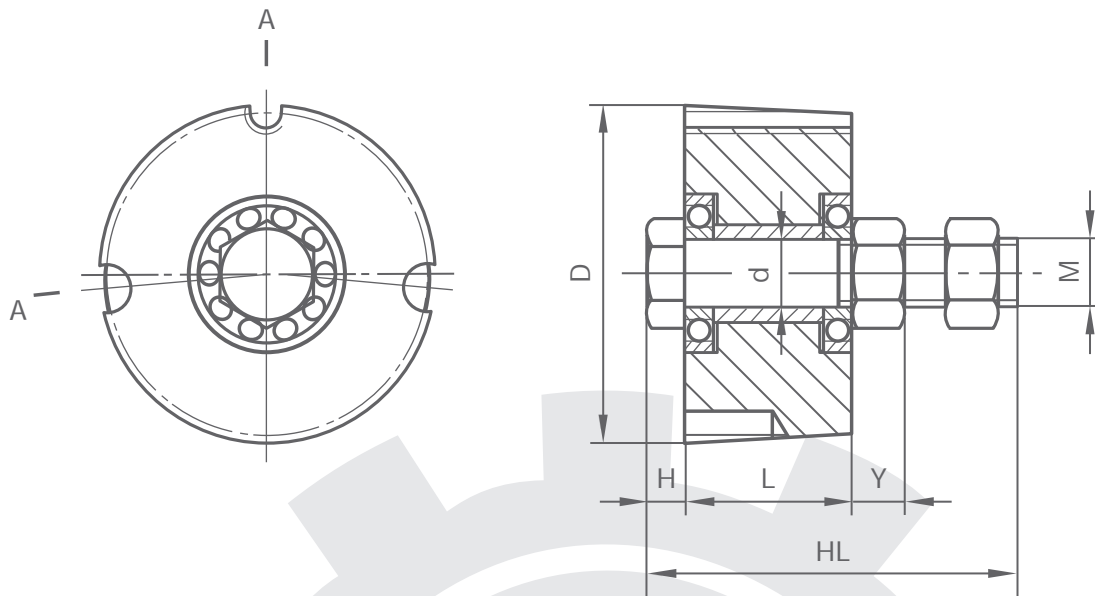
Attachment A



Attachment B



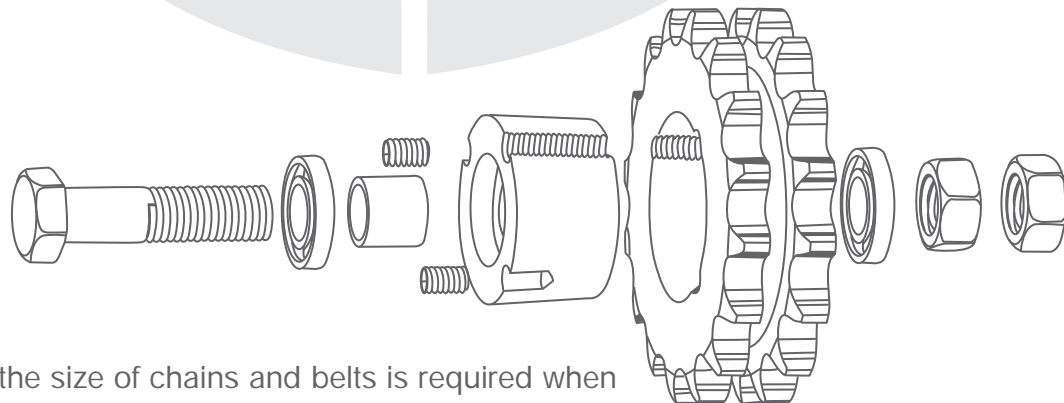
BTL Idler Bushings



Specifications

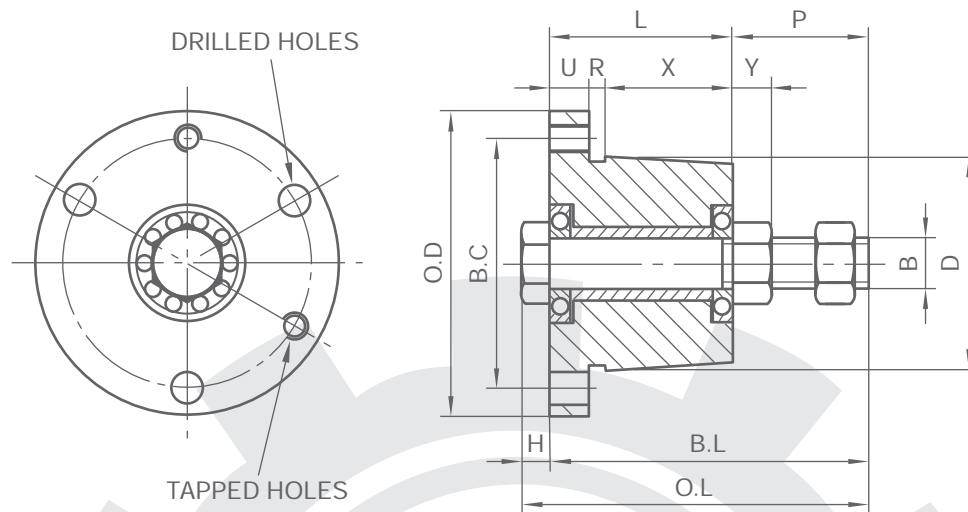
Part No.	Dimensions							Estimated Wt.(lb)
	d	D	H	Y	L	HL	M	
BT1215-1/2	1/2	17/8	5/16	5/16	1 1/2	3 13/64	1/2-13unc	0.8
BT1615-5/8	5/8	2 1/4	25/64	25/64	1 1/2	3 13/64	5/8-11unc	1.7
BT2012-3/4	3/4	2 3/4	15/32	15/32	1 1/4	2 31/32	3/4-10unc	5.1
BT2517-1	1	3 3/8	39/64	36/64	1 3/4	3 55/64	1-8unc	5.6
BT3020-1 1/2	1 1/2	4 1/4	1	1	2	5 5/8	1 1/2-6unc	13.5

NSPT BTL Idler Bushings works together with diversified standard BTL taper lock transmission parts such as sprockets, timing belt pulleys, sheaves, etc. They are used to loosen or tighten various transmitting belts and chains to get more stability and efficiency.



No limitation to the size of chains and belts is required when selecting BTL Idler Bushings for loosening and tightening devices. Simply select suitable sizes from NSPT Standard Series and put them into operation directly.

STL Idler Bushings

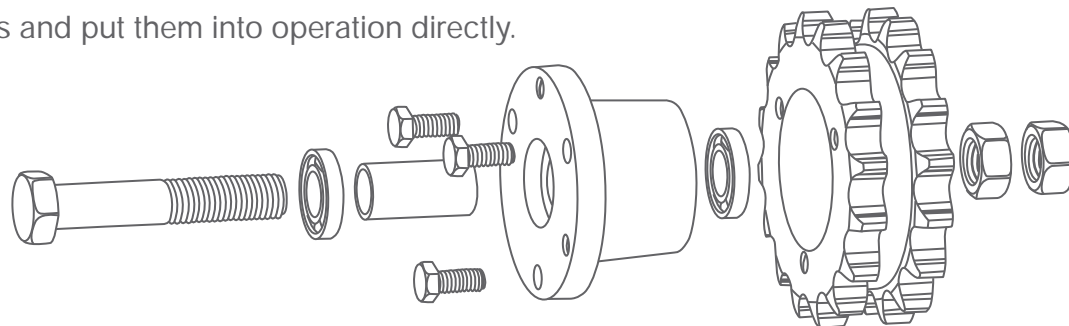


Specifications

SPCFCTN	Dimensions												Tapped Holes		Dricted Holes		Wt Lbs.
	OD	BC	D	B	OL	BL	H	L	P	U	R	X	NO.	SIZE	NO.	SIZE	
STH1-1/2	2 1/2	2	1.625	1/2	29/16	2 1/4	5/16	1 1/4	1	1/4	1/8	7/8	2	1/4-20	2	5/16	0.9
STP1-5/8	3	2 7/16	1.937	5/8	3 1/16	3 1/4	25/64	1 15/16	1 5/16	13/32	7/32	15/16	2	5/16-18	3	3/8	1.9
STQ1-3/4	4 1/8	3 3/8	2.875	3/4	4 7/32	3 3/4	15/32	2 1/2	1 1/4	17/32	7/32	1 3/4	2	3/8-16	3	7/16	5.5
STQ-1	4 1/8	3 3/8	2.875	1	4 39/64	4	39/64	2 1/2	1/2	17/32	7/32	1 3/4	2	3/8-16	3	7/16	5.9
STR-1 1/2	5 3/8	4 5/8	4.000	1 1/2	6 1/2	5 1/2	1	2 7/8	2 5/8	5/8	1/4	2	2	3/8-16	3	7/16	14.1

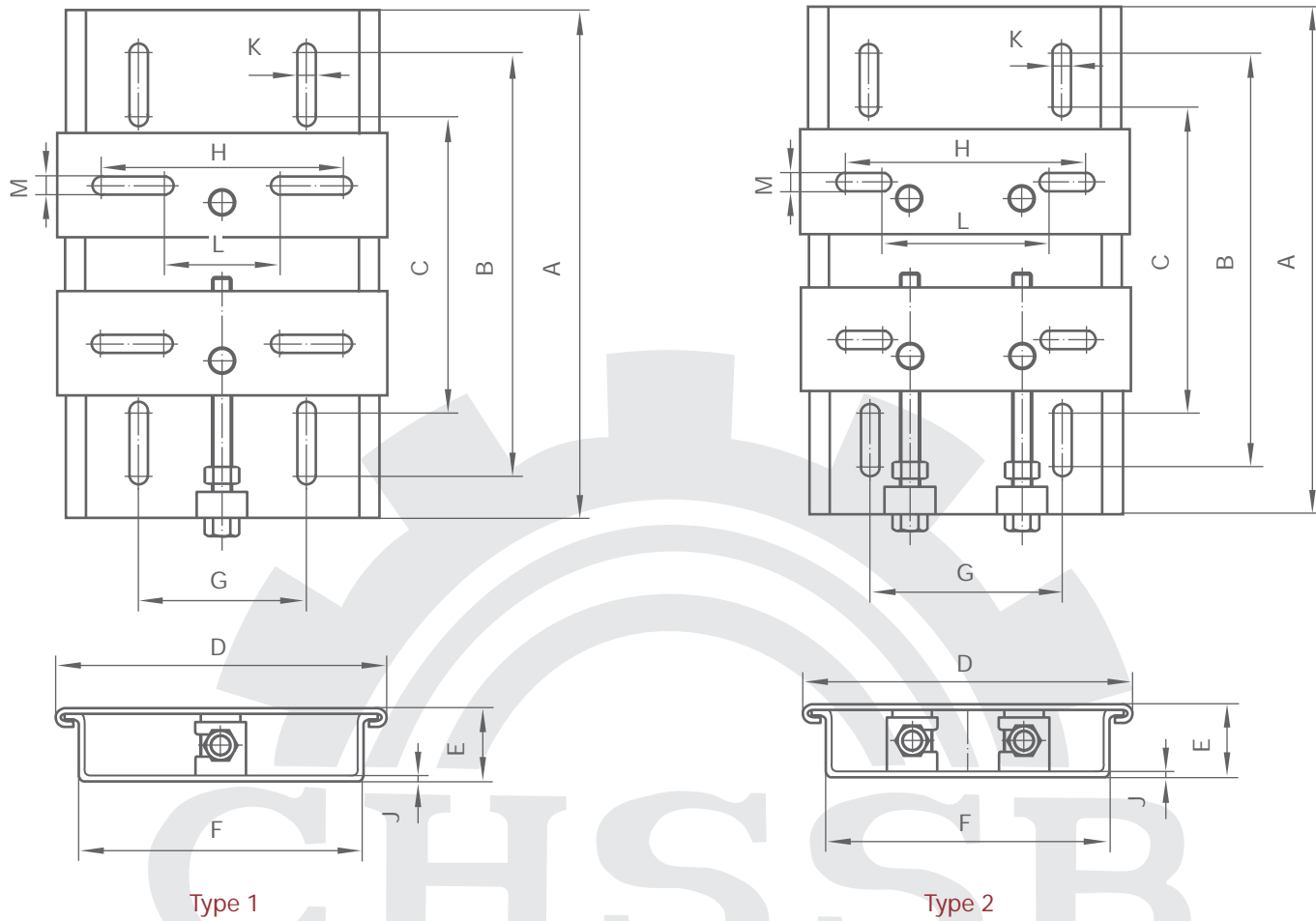
NSPT STL Idler Bushing works together with diversified standard STL taper lock transmission parts such as sprockets, timing belt pulleys, sheaves, etc. They are used to loosen or tighten various transmitting belts and chains to get more stability and efficiency.

No limitation is required for the size of chains and belts when selecting STL Idler Bushings for loosening and tightening devices. Simply select suitable sizes from NSPT Standard Series and put them into operation directly.



Sliding Motor Bases

SMB

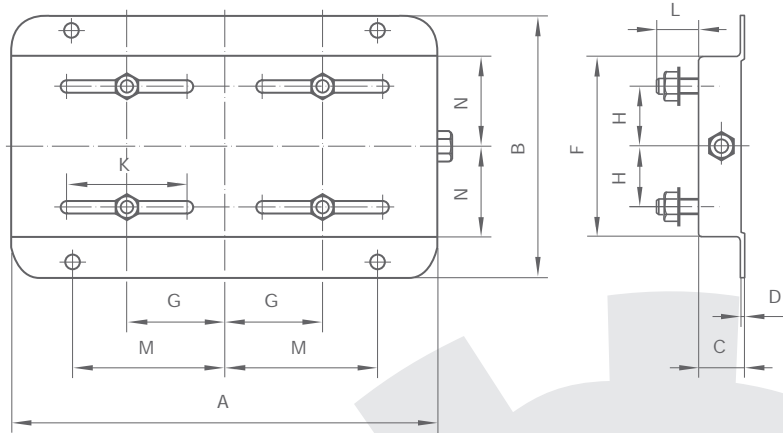


Specifications and Dimensions

SPCFCIN	Motor Frame	Type	Adjustment	DIMENSIONS IN INCHES												Wt Lbs
				A	B	C	D	E	F	G	H	J	K	L	M	
145SMB	48	1	5 1/4	12	10	7	7 27/32	1 11/16	6 3/4	4	5 3/4	1/8	7/16	2 3/4	7/16	6
	56		4 5/8													
	143T,145T		4													
215SMB	182,182T	1	5	16	14	11	11 11/32	2 1/16	9 1/4	6 1/2	7	1/8	7/16	4	7/16	14
	184,184T		5													
	213,213T		4													
	215,215T		4													
286SMB	254T,254U	1	6 1/2	21	19	16 1/4	15 17/32	2 1/8	13 1/2	11 1/2	11	3/16	9/16	8 1/4	9/16	36
	256T,256U		6 1/2													
	384T,284U		5 1/2													
	286T,286U		5 1/2													
365SMB	324T,324U	2	7	24	22	18	17	2 3/16	15	11 1/2	12 1/4	1/4	11/16	10 1/2	11/16	48
	326T,326U		7													
	364T,364U		5 1/2													
	365T,365U		5 1/2													

Sliding Motor Bases

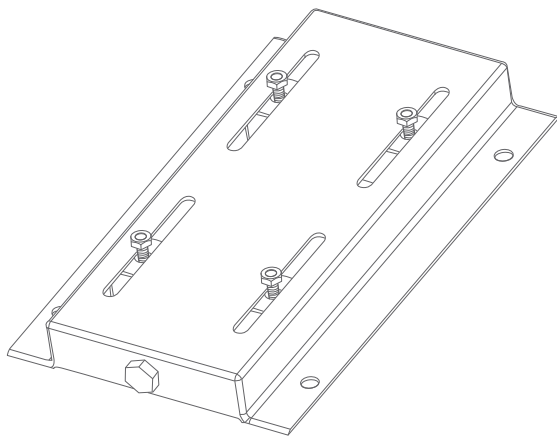
SMA



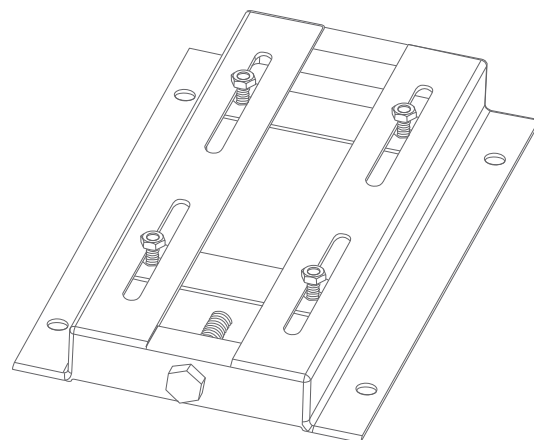
SMA/SMB of sliding motor bases are produced with high grade construction steels. The surfaces are finished with zinc plating or coating with anti-corrosive materials suitable for mounting standard NEMA-frame motors. It provides a convenient way for adjusting the position of motors. Once the Hex-screw is tightened, the motor can be safely fastened.

Specifications and Dimensions

SPCFCIN	Wt.	Type	Dimensions											Bolt Dimensions			
			A	B	C	D	F	G	H	K	L	M	N	Adj.	Hex	J	O
56SMA	3.0	1	10 ⁵ / ₈	6 ¹ / ₂	1 ¹ / ₈	3/32	4 ¹ / ₂	27/16	1 ¹ / ₂	3	7/8	3 ¹³ / ₁₆	2 ⁷ / ₈	3/8	9/16	5/16	3/8
143SMA	5.0		10 ¹ / ₂	7 ¹ / ₂		1/8	5 ¹ / ₂	2 ³ / ₄	2		13/16	3 ³ / ₄	3 ³ / ₈				
145SMA	6.0		8 ¹ / ₂	1 ¹ / ₂	1/8	6 ¹ / ₂	2 ¹ / ₂	1 ¹ / ₄	3 ³ / ₄		2 ¹ / ₄	4 ¹ / ₂	3 ⁷ / ₈				
182SMA	9.0		12 ³ / ₄		9 ¹ / ₂	1 ¹ / ₂	3 ³ / ₄		2 ¹ / ₄	4 ¹ / ₂	4 ¹ / ₂	1 ¹ / ₂	3/4	3/8	1/2		
184SMA	9.5		10 ¹ / ₂	1 ³ / ₄	5/32	7 ¹ / ₂	2 ³ / ₄	3 ¹ / ₂	5 ¹ / ₄	5 ¹ / ₂	4 ³ / ₄	5 ¹ / ₂	5 ¹ / ₂	1/2	3/4	3/8	1/2
213SMA	13.5		11		1 ³ / ₄	5/32	7 ¹ / ₂		2 ³ / ₄	3 ¹ / ₂	5 ¹ / ₄	5 ¹ / ₂	4 ³ / ₄				
215SMA	15.5		15	12 ¹ / ₂	2	3/16	10 ³ / ₄	5	4 ¹ / ₈	4	1 ⁷ / ₁₆	6 ¹ / ₄	6 ⁵ / ₈	5/8	15/16	1/2	5/8
254SMA	17.5	17 ³ / ₄	15 ¹ / ₈	10 ³ / ₄			5	4 ¹ / ₈	4	1 ⁷ / ₁₆	6 ¹ / ₄	6 ⁵ / ₈					
256SMA	18.5	16 ⁷ / ₈	2	3/16		12 ¹ / ₂	5	5	4 ¹ / ₂	1 ¹¹ / ₁₆	7	7 ¹ / ₂	7 ¹ / ₂	3/4	1 ¹ / ₈	5/8	3/4
284SMA	21.0	19 ³ / ₄				16 ⁷ / ₈	12 ¹ / ₂	5	5	4 ¹ / ₂	1 ¹¹ / ₁₆	7	7 ¹ / ₂				
286SMA	22.0	18 ³ / ₈	2 ¹ / ₂	1/4		14	5 ¹ / ₂	4 ³ / ₄	4 ¹ / ₂	1 ¹¹ / ₁₆	7	8 ¹ / ₄	8 ¹ / ₄	3/4	1 ¹ / ₈	5/8	3/4
324SMA	31.0	19 ¹ / ₄				14	5 ¹ / ₂	4 ³ / ₄	4 ¹ / ₂	1 ¹¹ / ₁₆	7	8 ¹ / ₄	8 ¹ / ₄				
326SMA	32.0	22 ³ / ₄	18 ³ / ₈	1 ¹ / ₄		15 ¹ / ₂	6 ¹ / ₄	5 ¹ / ₄	5 ¹ / ₄	2 ³ / ₁₆	8	9 ¹ / ₄	9 ¹ / ₄	3/4	1 ¹ / ₈	5/8	3/4
364SMA	44.0	20 ³ / ₄	15 ¹ / ₂		6 ¹ / ₄	5 ¹ / ₄	5 ¹ / ₄	2 ³ / ₁₆	8	9 ¹ / ₄	9 ¹ / ₄						
365SMA	45.0	25 ¹ / ₂	20 ¹ / ₂	1/4	16 ¹ / ₂	7	5 ⁵ / ₈	6	2 ¹ / ₁₆	9	9 ¹ / ₈	9 ⁵ / ₈	3/4	1 ¹ / ₈	5/8	3/4	
		21 ¹ / ₂	21 ¹ / ₂	16 ¹ / ₂	7	5 ⁵ / ₈	6	2 ¹ / ₁₆	9	9 ⁵ / ₈							



Type 1

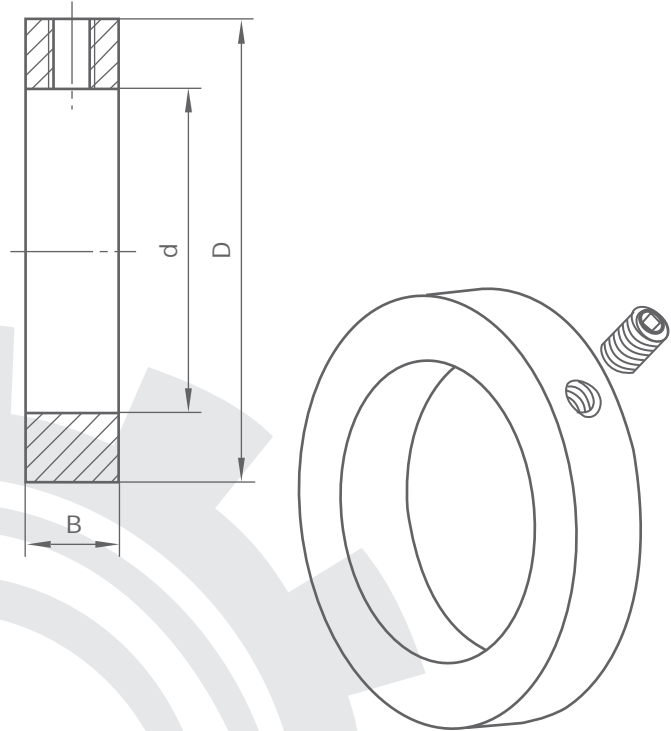


Type 2

Set Collars

Type 304 Austenitic Stainless Steel

SPCFCTN	BORE	D	B
CSS-1/4	1/4	1/2	9/32
CSS-5/16	5/16	5/8	11/32
CSS-3/8	3/8	3/4	3/8
CSS-1/2	1/2	1	7/16
CSS-5/8	5/8	1 1/8	1/2
CSS-3/4	3/4	1 1/4	9/16
CSS-7/8	7/8	1 1/2	9/16
CSS-1	1	1 5/8	5/8
CSS-1 1/8	1 1/8	1 3/4	5/8
CSS-1 3/16	1 3/16	2	11/16
CSS-1 1/4	1 1/4	2	11/16
CSS-1 3/8	1 3/8	2 1/8	3/4
CSS-1 7/16	1 7/16	2 1/4	3/4
CSS-1 1/2	1 1/2	2 1/2	3/4



Each Set Collar is Fitted with One Hollow Head Cup Point Set Screw

CHSSB

MILD STEEL OR POWDERED METAL

SPCFCTN	BORE	D	B
CSC-3/16	3/16	7/16	1/4
CSC-1/4	1/4	1/2	9/32
CSC-5/16	5/16	5/8	11/32
CSC-3/8	3/8	1/4	3/8
CSC-7/16	7/16	7/8	7/16
CSC-1/2	1/2	1	7/16
CSC-9/16	9/16	1	7/16
CSC-5/8	5/8	1 1/8	1/2
CSC-11/16	11/16	1 1/4	9/16
CSC-3/4	3/4	1 1/4	9/16
CSC-13/16	13/16	1 5/16	9/16
CSC-7/8	7/8	1 1/2	9/16
CSC-15/16	15/16	1 5/8	9/16
CSC-1	1	1 5/8	5/8
CSC-1 1/16	1 1/16	1 3/4	5/8
CSC-1 1/8	1 1/8	1 3/4	5/8
CSC-1 3/16	1 3/16	2	11/16
CSC-1 1/4	1 1/4	2	11/16
CSC-1 5/16	1 5/16	2 1/8	11/16
CSC-1 3/8	1 3/8	2 1/8	3/4
CSC-1 7/16	1 7/16	2 1/4	3/4

SPCFCTN	BORE	D	B
CSC-1 1/2	1 1/2	2 1/4	3/4
CSC-1 9/16	1 9/16	2 1/2	13/16
CSC-1 5/8	1 5/8	2 1/2	13/16
CSC-1 11/16	1 11/16	2 1/2	13/16
CSC-1 3/4	1 3/4	2 3/4	7/8
CSC-1 13/16	1 13/16	2 3/4	7/8
CSC-1 7/8	1 7/8	2 3/4	7/8
CSC-1 15/16	1 15/16	3	7/8
CSC-2	2	3	7/8
CSC-2 1/8	2 1/8	3	7/8
CSC-2 3/16	2 3/16	3 1/4	15/16
CSC-2 1/4	2 1/4	3 1/4	15/16
CSC-2 5/16	2 5/16	3 1/4	15/16
CSC-2 3/8	2 3/8	3 1/4	15/16
CSC-2 7/16	2 7/16	3 1/2	1
CSC-2 1/2	2 1/2	3 1/2	1
CSC-2 9/16	2 9/16	3 3/4	1 1/8
CSC-2 11/16	2 11/16	4	1 1/8
CSC-2 3/4	2 3/4	4	1 1/8
CSC-2 15/16	2 15/16	4 1/4	1 1/8
CSC-3	3	4 1/4	1 1/8